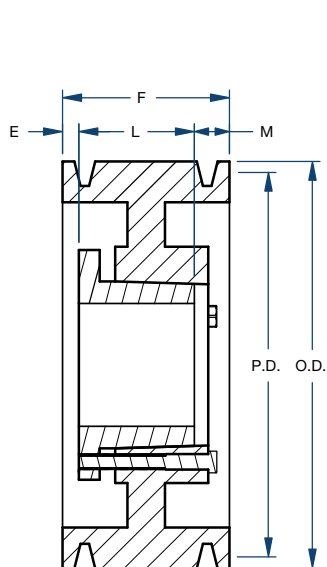
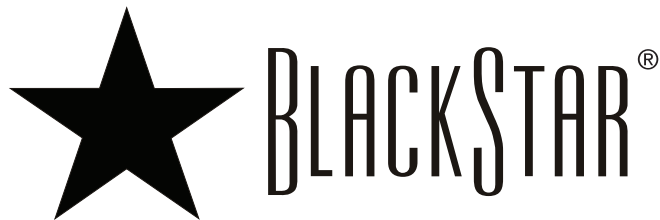
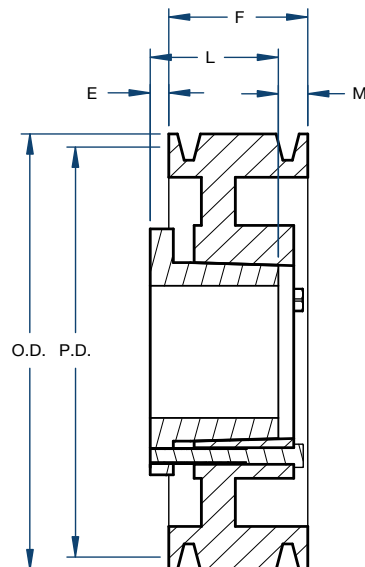


Sheaves

3V SERIES 5 GROOVE/QD



Type A



Type D

Part Number	Bushing	Bore Range	Type	Diameter (in)		Dimensions (in)				Weight less Bushing (lbs)
				Pitch	Outside	E	F	L	M	
5-3V475SDS	SDS	1/2 – 2	A	4.70	4.75	5/32	2-5/16	1-5/16	27/32	5.1
5-3V500SDS	SDS	1/2 – 2	A	4.95	5.00	5/32	2-5/16	1-5/16	27/32	5.7
5-3V530SK	SK	1/2 – 2-5/8	A	5.25	5.30	5/32	2-5/16	1-15/16	7/32	6.5
5-3V560SK	SK	1/2 – 2-5/8	A	5.55	5.60	5/32	2-5/16	1-15/16	7/32	7.5
5-3V600SK	SK	1/2 – 2-5/8	A	5.95	6.00	5/32	2-5/16	1-15/16	7/32	8.9
5-3V650SK	SK	1/2 – 2-5/8	A	6.45	6.50	5/32	2-5/16	1-15/16	7/32	10.6
5-3V690SK	SK	1/2 – 2-5/8	A	6.85	6.90	5/32	2-5/16	1-15/16	7/32	12.8
5-3V800SK	SK	1/2 – 2-5/8	A	7.95	8.00	5/32	2-5/16	1-15/16	7/32	13.6
5-3V1060SK	SK	1/2 – 2-5/8	A	10.55	10.60	5/32	2-5/16	1-15/16	7/32	17.0
5-3V1400SF	SF	1/2 – 2-15/16	A	13.95	14.00	1/32	2-5/16	2-1/16	7/32	26.0
5-3V1900SF	SF	1/2 – 2-15/16	A	18.95	19.00	1/32	2-5/16	2-1/16	7/32	41.0
5-3V2500E	E	7/8 – 3-1/2	D	24.95	25.00	17/32	2-5/16	2-3/4	3/32	63.0
5-3V3350E	E	7/8 – 3-1/2	D	33.45	33.50	17/32	2-5/16	2-3/4	3/32	95.0